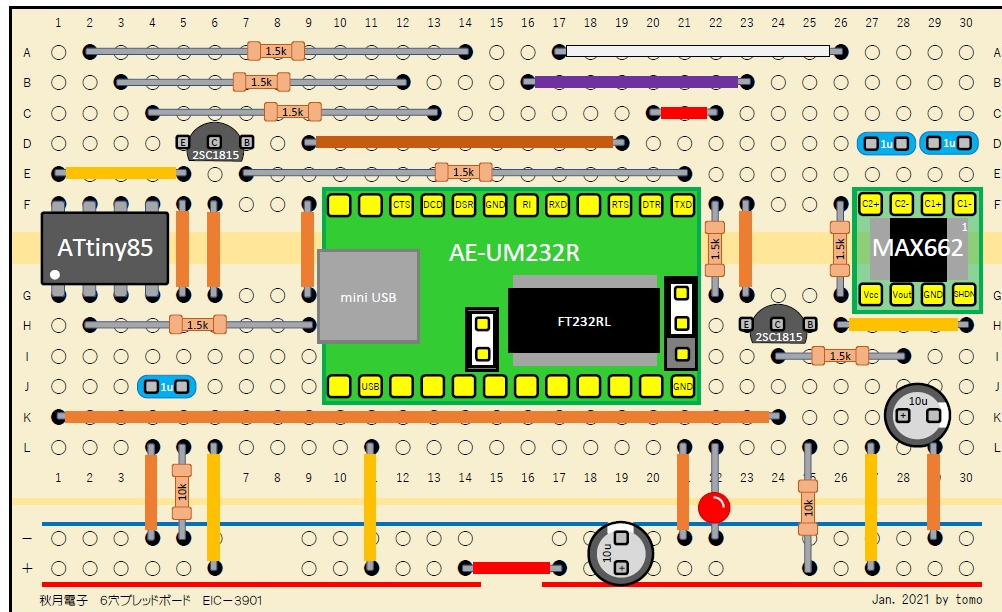


ATtiny 高電圧プログラマ



## tinyFanduinWriter2.0

This circuit is used for writing ATtiny85 by High Voltage Programming

Sheet: /  
File: ATtinyWriter.sch

### Title:

Size: A4 Date: 2021.01.11  
KiCad E.D.A. eeschema (5.1.6) - 1

Rev:  
Id: 1/1