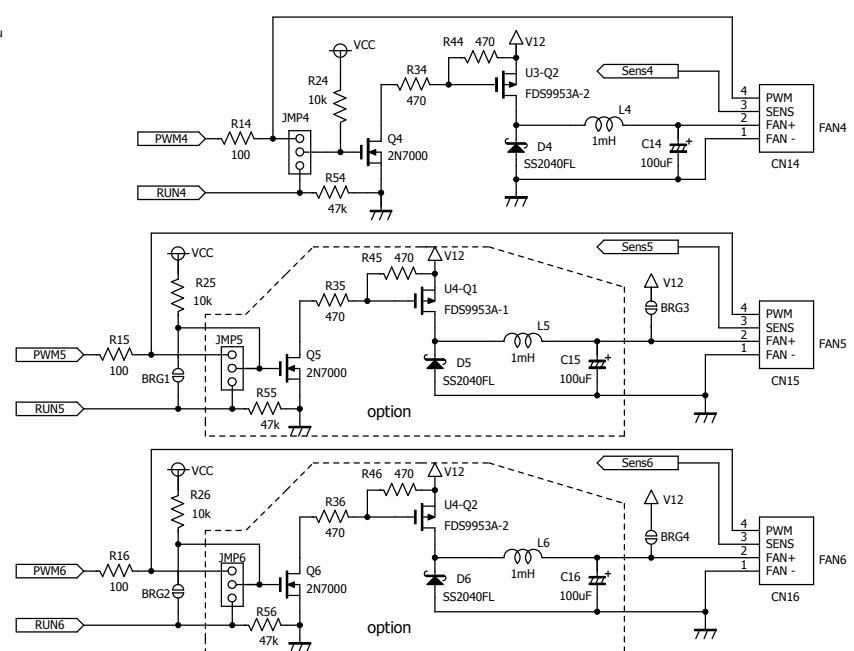


# Fanduino Rev9.0

AVR-Fancon Rev9.0  
Jan.2013 by tomo



Short BRG1 to 4 if the option is not applicable.